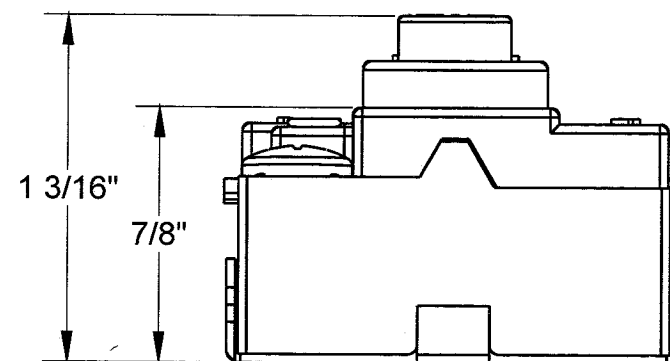
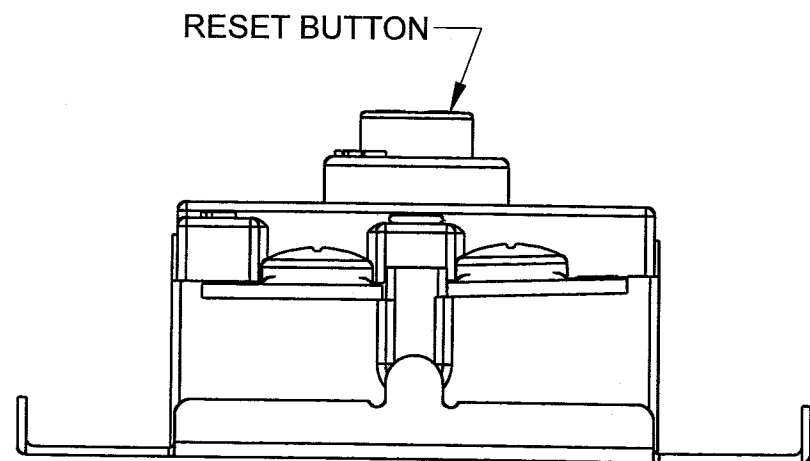



**APCOM WL6 HIGH LIMIT CONTROL:**

- A) OPEN TEMPERATURE: 190±5° F
- B) ELECTRICAL RATING: REF. COVER OF WL6 ON THIS DWG. U/L AND CSA AGENCY APPROVED.



**ORIGINAL**  
PART NO. 700155-000

REV.	DCN	DESCRIPTION	DATE
02	A8487	REPLACED BRACKET	11/12/2007
01	A7362	UPDATE MODEL	12/14/2005
00	A6780	NEW DRAWING	4/4/05

MATERIAL:		 <b>FRANKLIN, TN U.S.A.</b> www.apcom-inc.com	
<b>CONFIDENTIAL</b> THIS DOCUMENT IS, AND CONTAINS, CONFIDENTIAL AND TRADE SECRET INFORMATION OF APCOM.  THIS DOCUMENT IS LOANED FOR LIMITED PURPOSES ONLY, AND REMAINS THE PROPERTY OF APCOM. IT IS TO BE RETURNED UPON REQUEST, AND IN ALL EVENTS UPON COMPLETION OF THE PURPOSE OF THE LOAN.		UNSPECIFIED TOLERANCES: 2 PLACE DEC. ±.010   FRACT. ±1/32 3 PLACE DEC. ±.005   ANGLES ±2° ALL DIMENSIONS IN INCHES UNLESS OTHERWISE SPECIFIED. METRIC UNITS ARE DISPLAYED AS [XXX].	
TITLE: <b>THERMOSTAT, WL6 L190</b>		DRAWN: <b>MUNGUIA, J</b>	CHECKED: <i>Jeff Baxter</i> 11/12/07 APPROVED: <i>[Signature]</i> 11/13/07
DATE: <b>11/12/2007</b>		SCALE: <b>1.5X</b>	DRAWING NUMBER: <b>700155-XXX</b>